



PROCESS GAUGES

GEARLESS, DIRECT DRIVE PRESSURE GAUGES

Designed to perform on any application

ADVANTAGES

ONE MOVING PART

Unmatched vibration, pulsation and shock performance. No linkages, springs, gears, or liquid fill to wear, break or leak.

OOPS! PROOF

Proof pressure (over-pressure) of 150% F.S. exceeds industry standards. Survives the day to day beatings of an unpredictable industrial environment.

TEMPERATURE HERO

Trusted in extremes from -65°F up to 600°F media. Accuracy is 25% less affected by temp fluctuations. Inconel Element = Low Coefficient of Thermal Expansion

AEROSPACE QUALITY | MILITARY TRUSTED

Direct Drive is demanded on critical applications. The same military grade Direct Drive technology used in our Aerospace and Military designs is used in our industrial gauges for commercial applications.

MINI-SEAL COMPATIBILITY

Requires 85% less fill fluid than the competition. Accuracy is 50% less affected by temps above 68°F. Low volume design enables performance on mini-diaphragm seals providing performance advantages and cost savings.

Lifetime Limited Warranty

ACCURACY (Ref. @ 68°F, ±2°F)
±0.5% F.S. at M.S. / ±1.0% F.S.
±0.5% F.S. (Grade 2A)

RANGE AVAILABILITY
Vacuum – 15,000 psi (or equivalent)
Single Scale, Dual Scale, Vacuum and Compound
psi, bar, kPa, MPa, kg/cm², inHg, mmHg

DIAL
Stainless Steel, Powder Coated Finish
Standard: White with Black Markings
Ray Series: Neon Yellow, Black Markings, Red Pointer

WINDOW
Acrylic
Tempered Glass

POINTER
Anodized Aluminum
Zero-adjustable



CONNECTION
316 SS or Monel
¼ or ½ NPT (other options available)
Welded Mini-Diaphragm Seal

WETTED PARTS
Inconel X-750
300-series SS
Silver Braze (nickel available)

BURST PRESSURE
500% F.S. pressure or 25,000 psi

PROOF PRESSURE
150% F.S. for gauges ≤ 5,000 psi
125% F.S. for gauges ≥ 5,000 psi

CUSTOMIZATION AVAILABLE. CONTACT THE FACTORY.

CASE CONFIGURATIONS

ABS PLASTIC

COLORS

Black, Blue, Green, Red, White, Yellow (availability varies by size)

OPERATING TEMPERATURE

Process: -65°F to 250°F
Ambient: -65°F to 190°F



2.5", 4.5", 6", 8.5"
Front Flange



2.5", 4.5", 6"
No Flange



2.5", 4.5", 6"
Rear Flange



3.5", 4.5"
Turret

METAL

MILITARY GRADE

HIGH TEMP

High performance cases providing extreme temperature, chemical and shock resistance.



2.5" No Flange
Aluminum



4.5" No Flange
SS Case, Alum. Ring



4.5" No Flange
Stainless Steel



3.5", 4.5", 8.5"
Rear Flange
Aluminum/Skydrol



4.5" Turret
Glass-Filled Nylon

COLORS

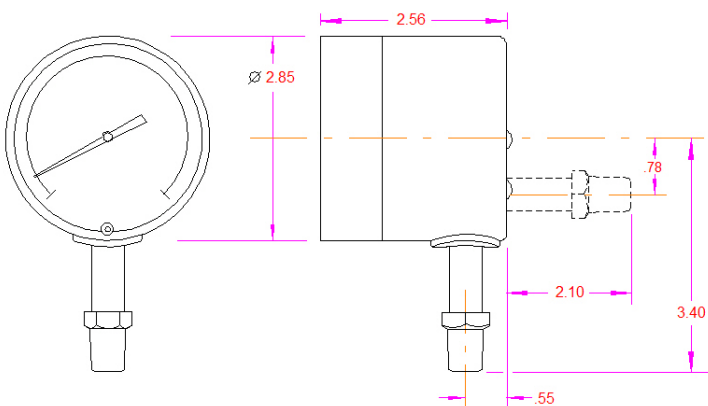
SS and Aluminum: Powder Coated Finish (specify color)
Skydrol: Purple Anodized Ring, Unpainted Case
Glass-Filled Nylon: Available in yellow only

OPERATING TEMPERATURE

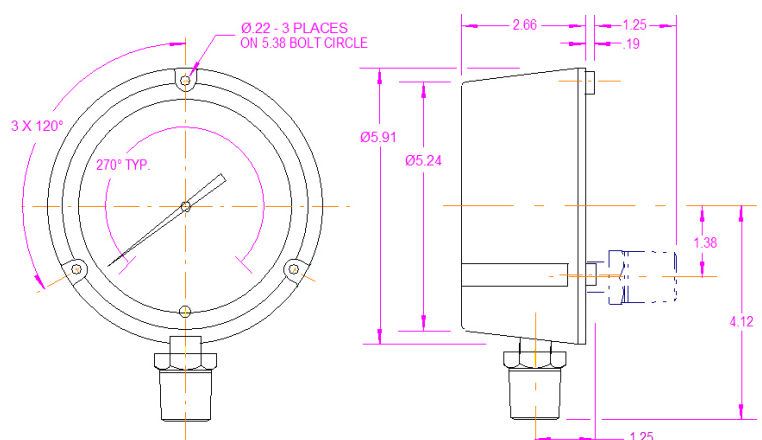
Process: -65°F to 600°F
Ambient: -65°F to 400°F

CALIBRATION CERTIFICATE AVAILABLE.

DIMENSIONAL SPECS (common sizes)



2.5" No Flange Aluminum



4.5" Turret